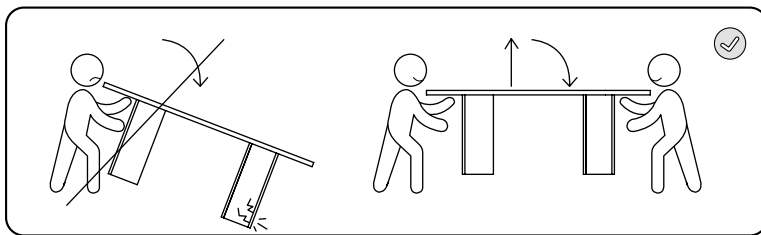
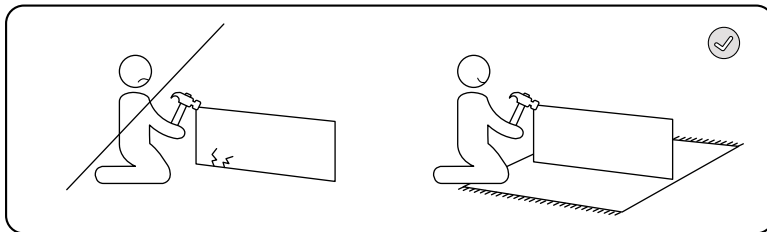
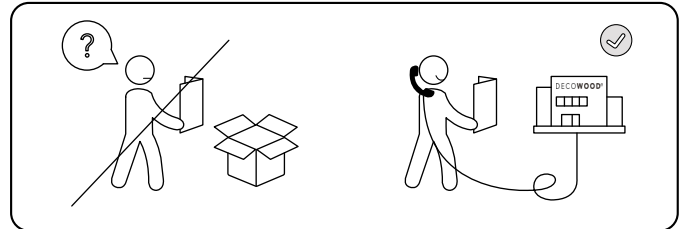
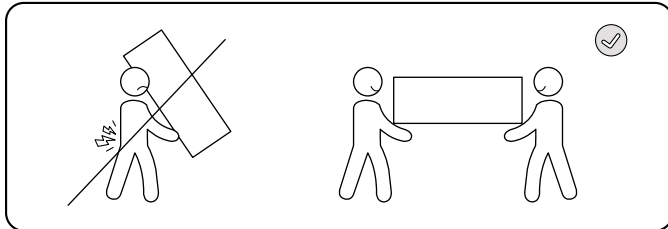


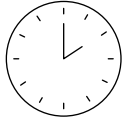
The wood tailor

MOBILIARIO SOSTENIBLE

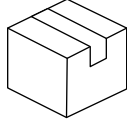


The wood tailor

MOBILIARIO SOSTENIBILE



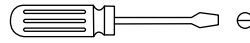
15 min



x1



x2



x1



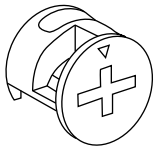
A x1



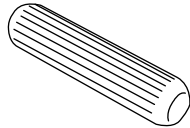
B x2



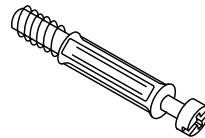
C x2



D x8
Ø15mm



E x10
Ø8x30mm



F x8
M6x40mm

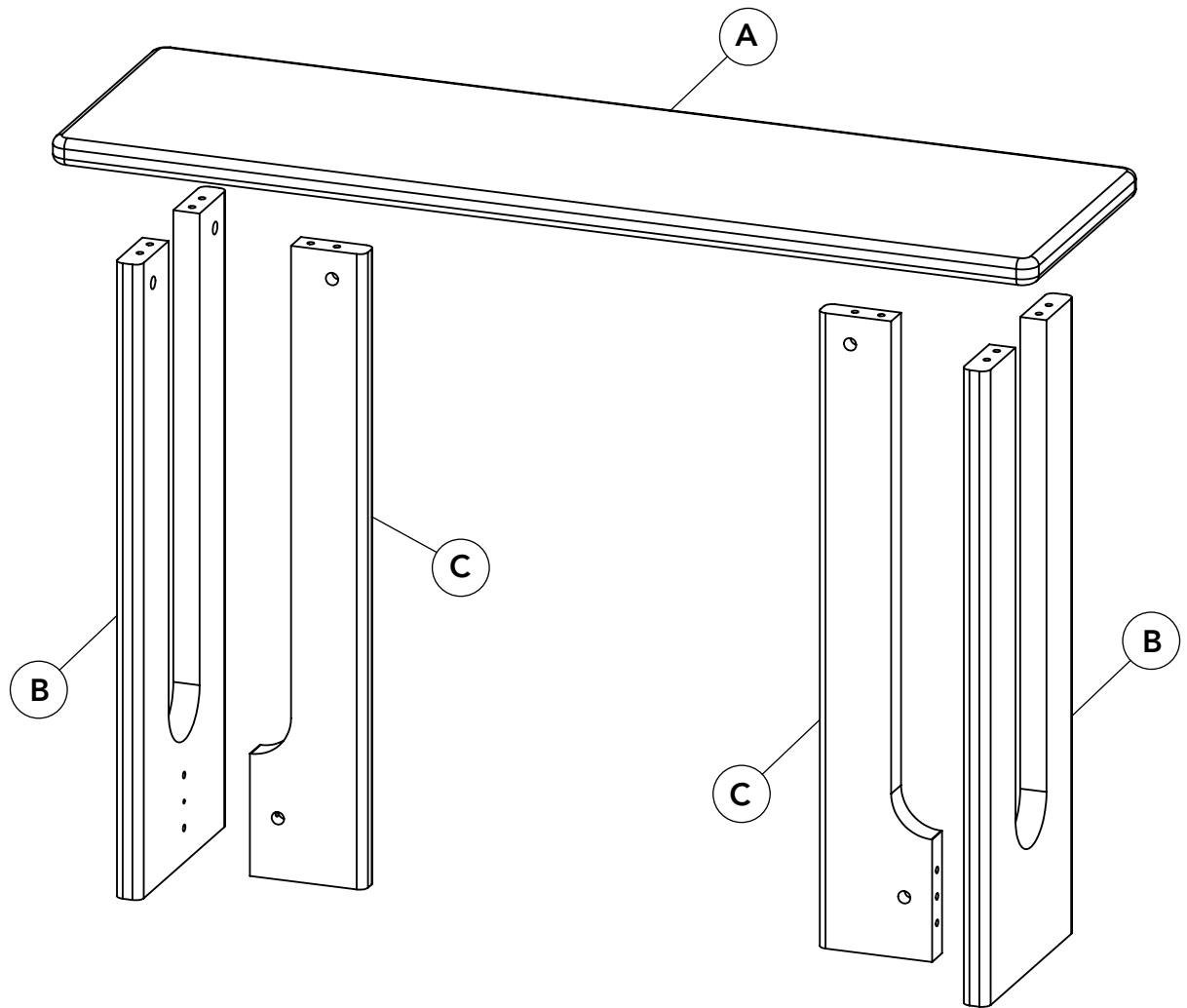


G x8

ESP: Solo para patas de microcemento.
EN: Only for microcement legs.

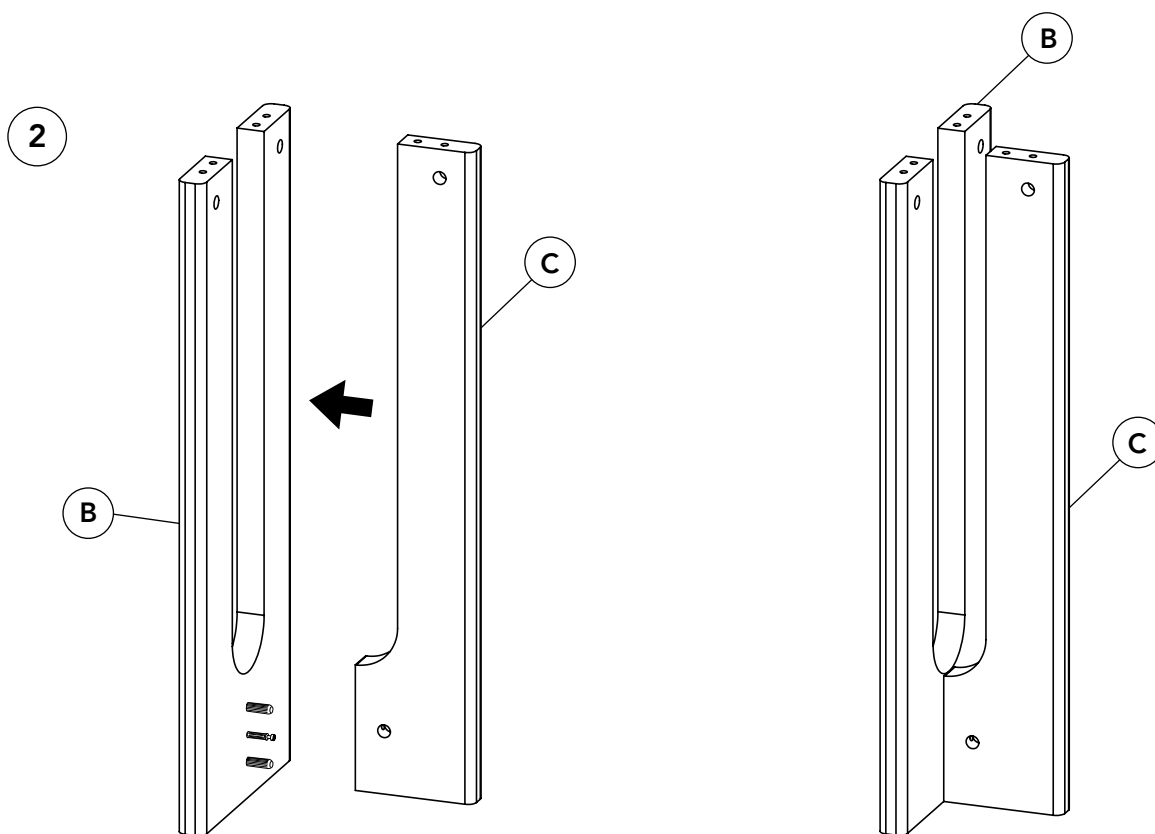
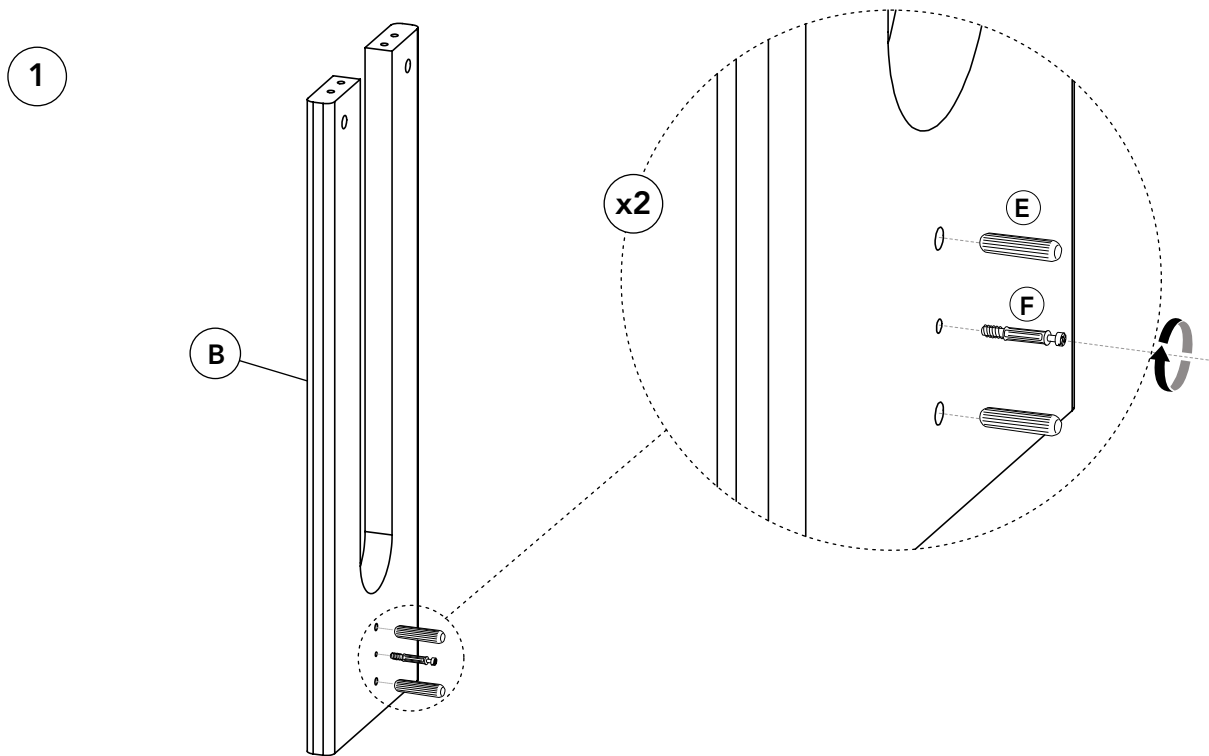
The wood tailor

MOBILIARIO SOSTENIBLE



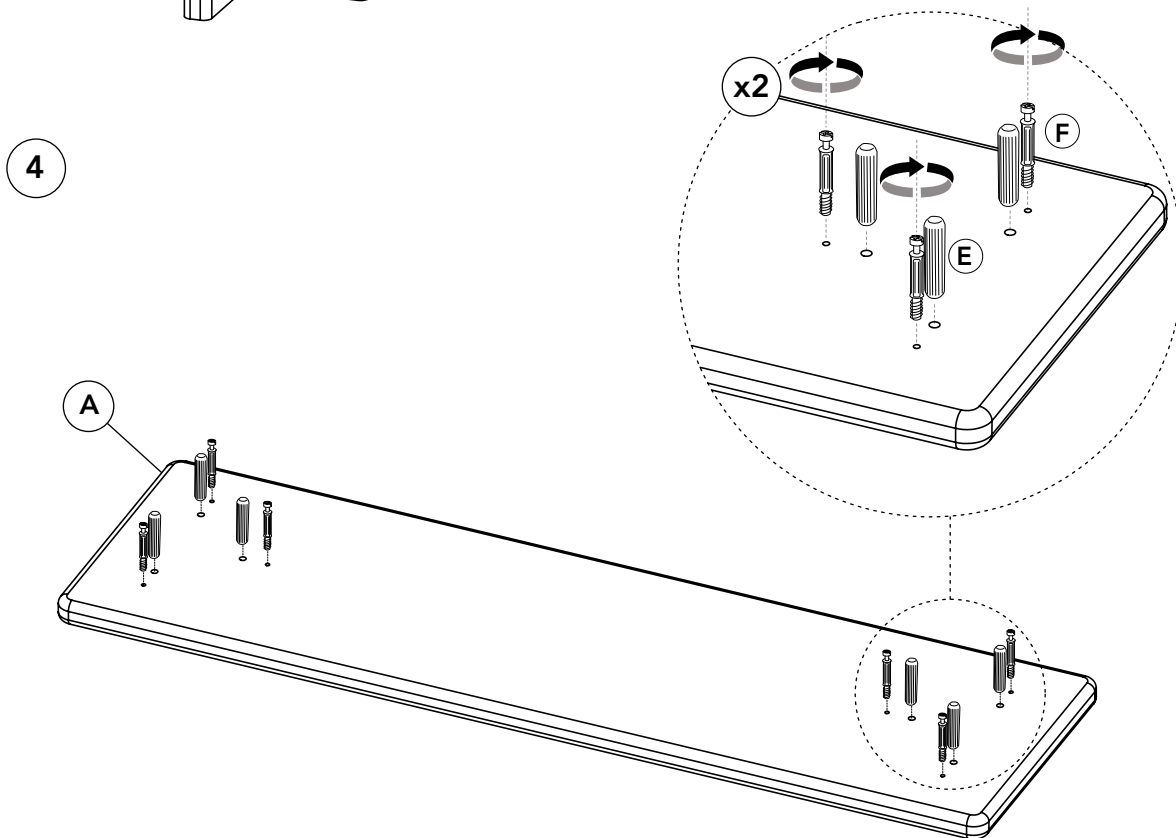
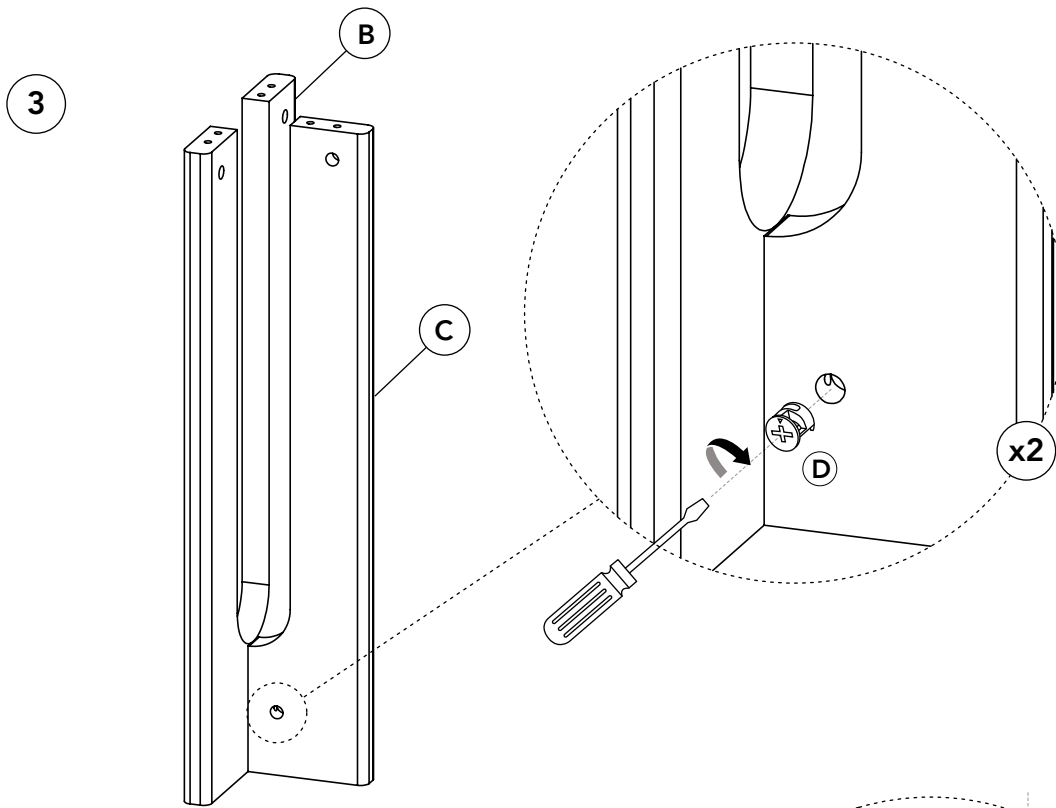
The wood tailor

MOBILIARIO SOSTENIBLE



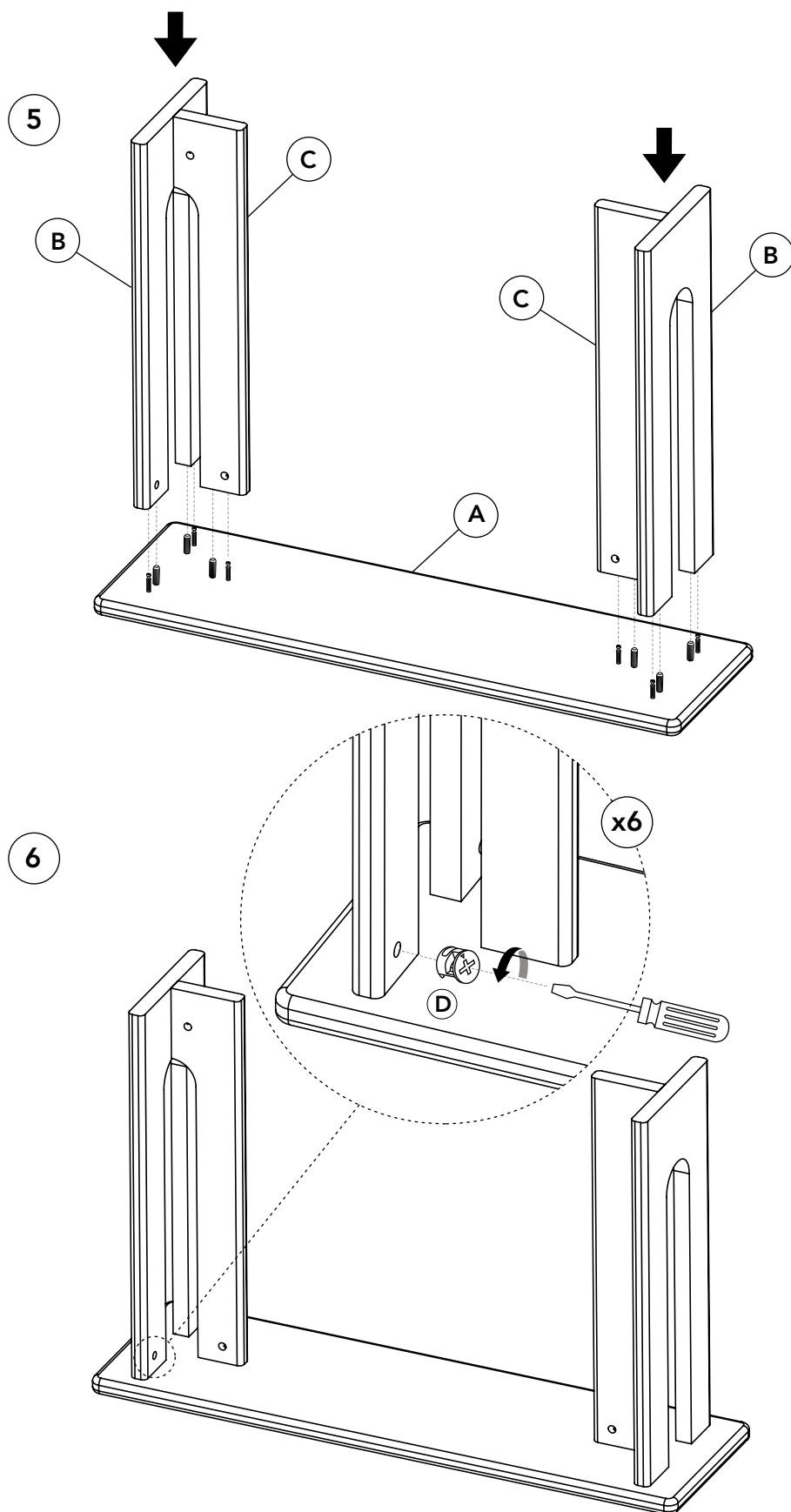
The wood tailor

MOBILIARIO SOSTENIBLE



The wood tailor

MOBILIARIO SOSTENIBILE



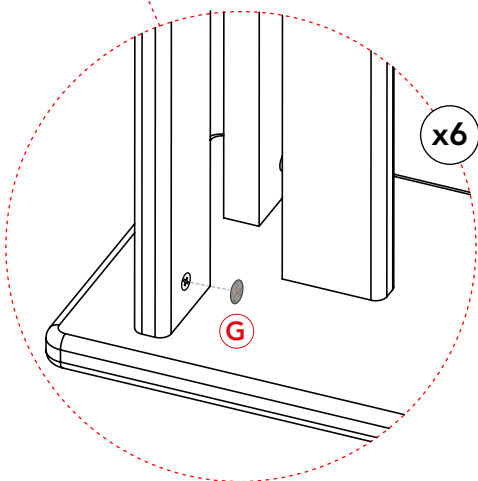
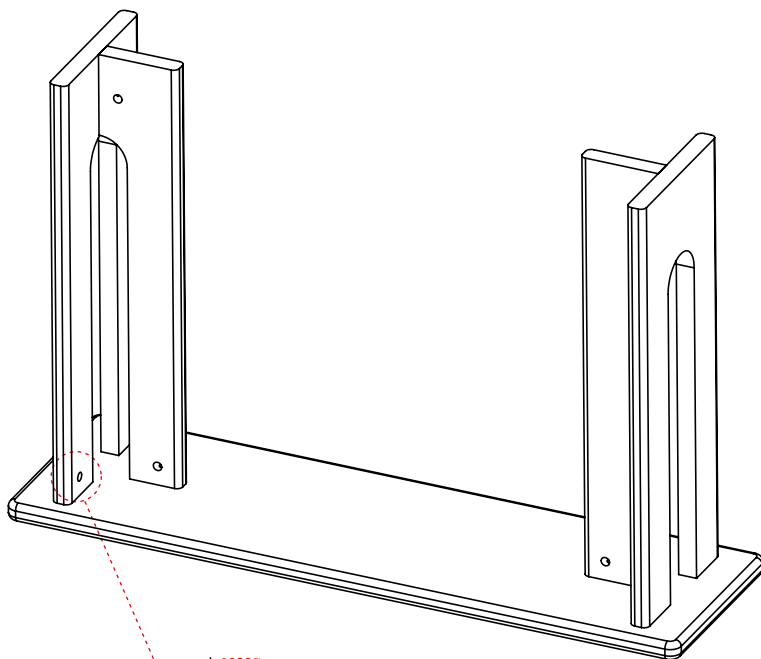
The wood tailor

MOBILIARIO SOSTENIBLE

7

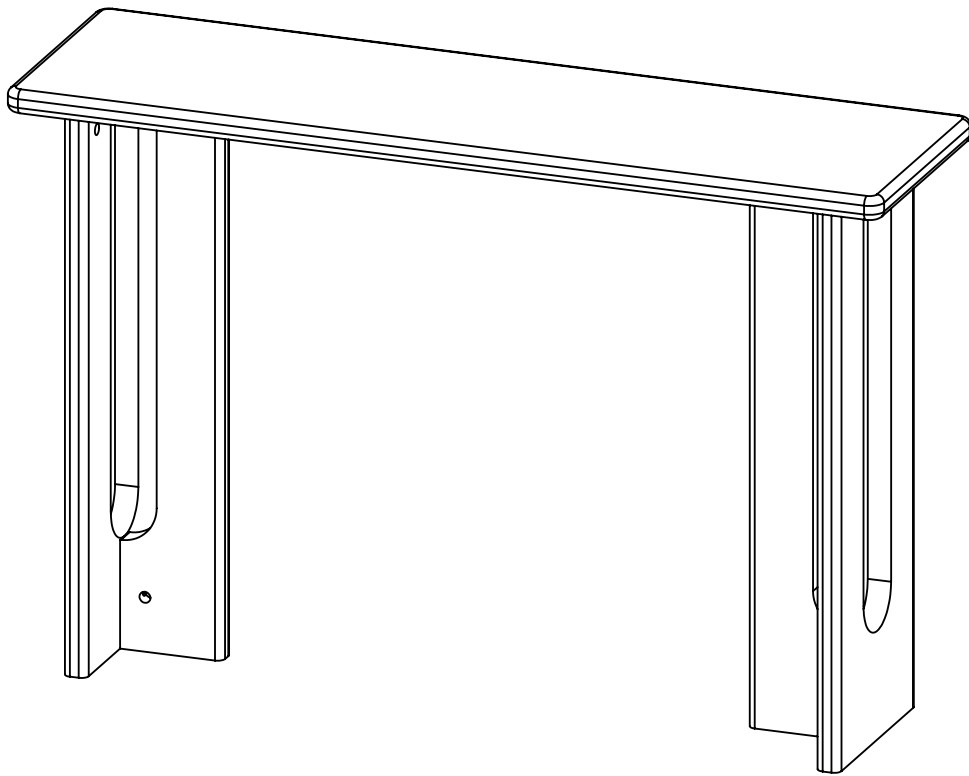


ESP: Solo para patas de microcemento.
EN: Only for microcement legs.



The wood tailor

MOBILIARIO SOSTENIBLE



The wood tailor

MOBILIARIO SOSTENIBLE

The change starts here.

